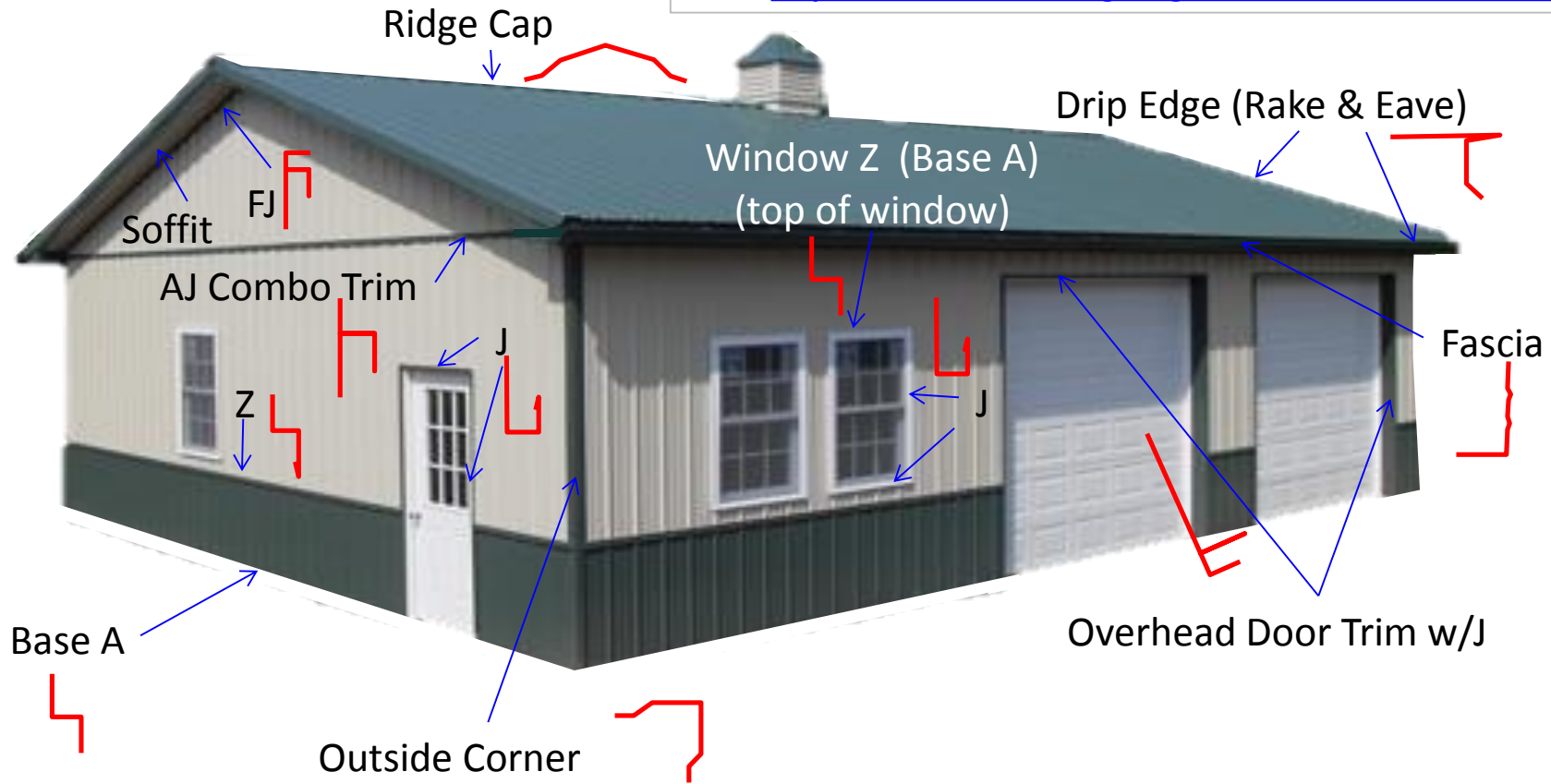


# Trim Placement & Profiles



Check out the installation videos at:

<http://www.unioncorrugating.com/installation-videos.html>



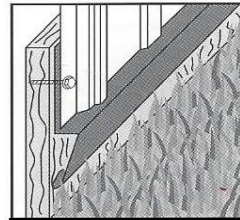
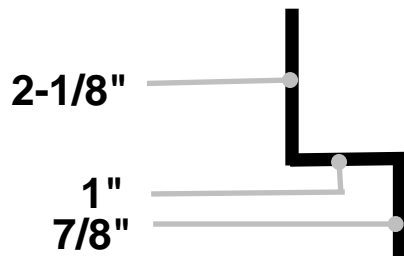
**RED** lines are the trim profiles

# HOUSE OF STEEL, INC. - TRIMS

## BASE A

**(aka Rat Guard and Window Z)**

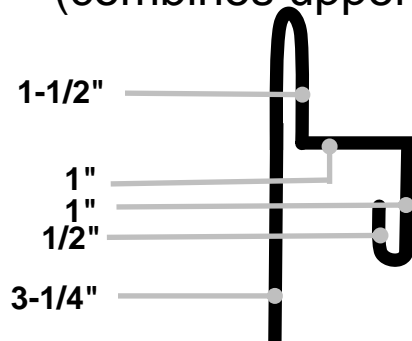
(used at base and top of window)



Starter strip for panels at base of building, or for use at top of window.

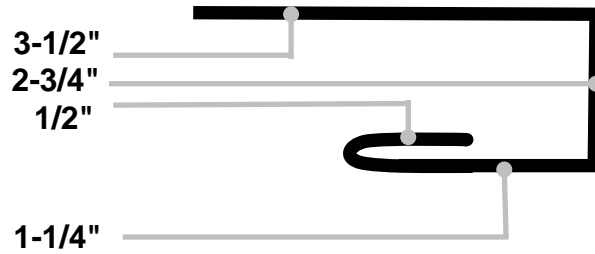
## A/J COMBO

(combines upper & lower gabel)

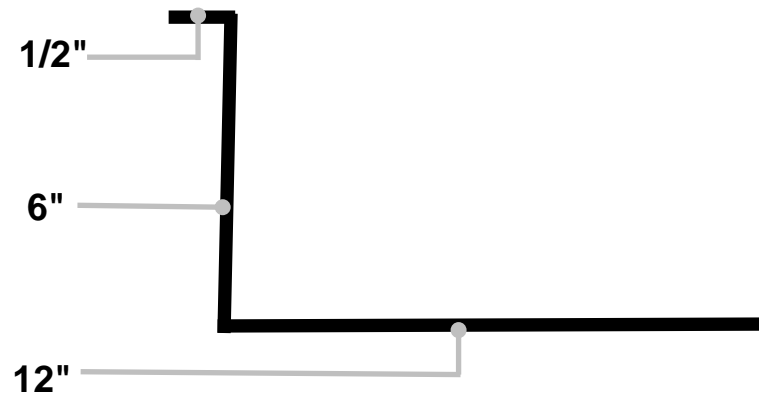


# HOUSE OF STEEL, INC. - TRIMS

## C CHANNEL

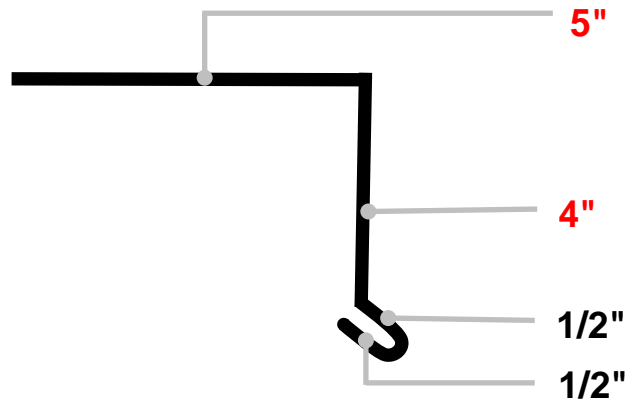


## CHIMNEY FLASH

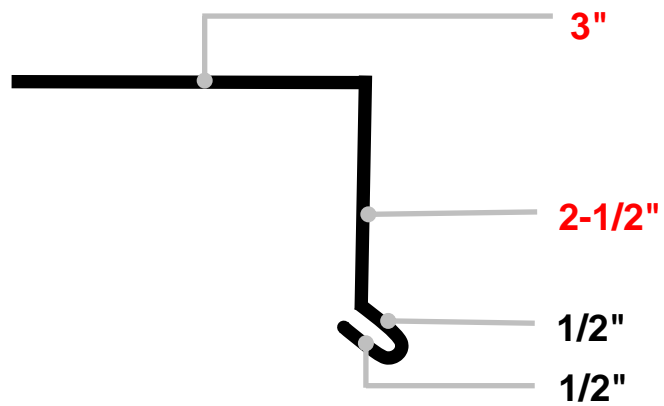


# HOUSE OF STEEL, INC. - TRIMS

## DENVER EAVE

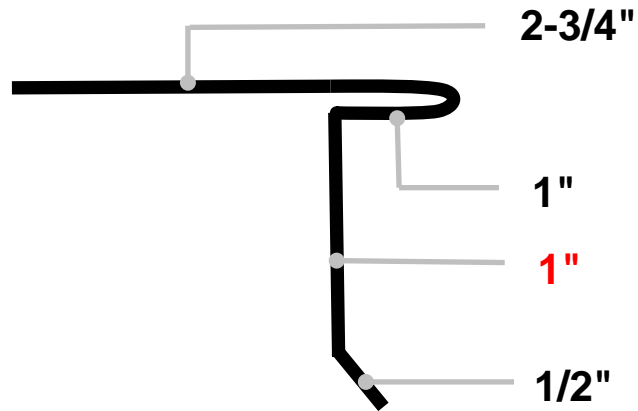


## DENVER EAVE 2-1/2"

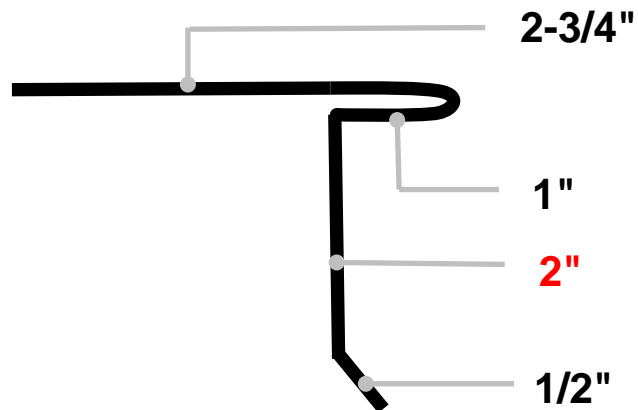


# HOUSE OF STEEL, INC. - TRIMS

## DRIP EDGE 1" (T-style)

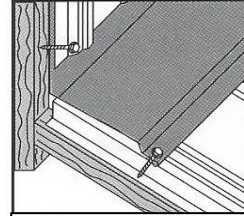
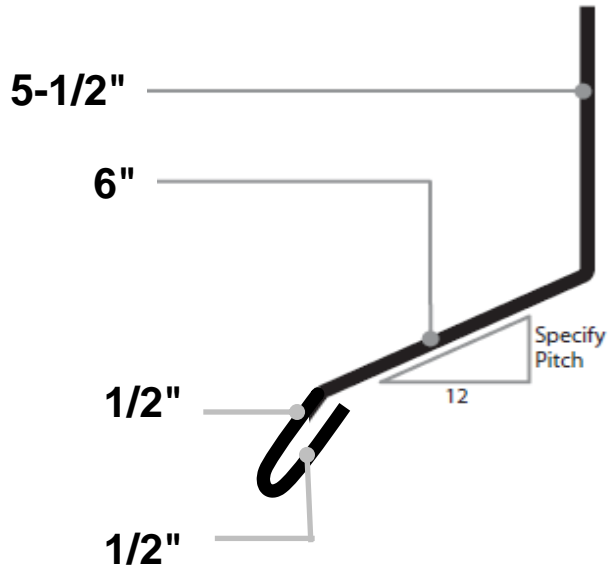


## DRIP EDGE 2" (T-style)



# HOUSE OF STEEL, INC. - TRIMS

## ENDWALL

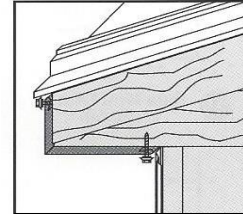
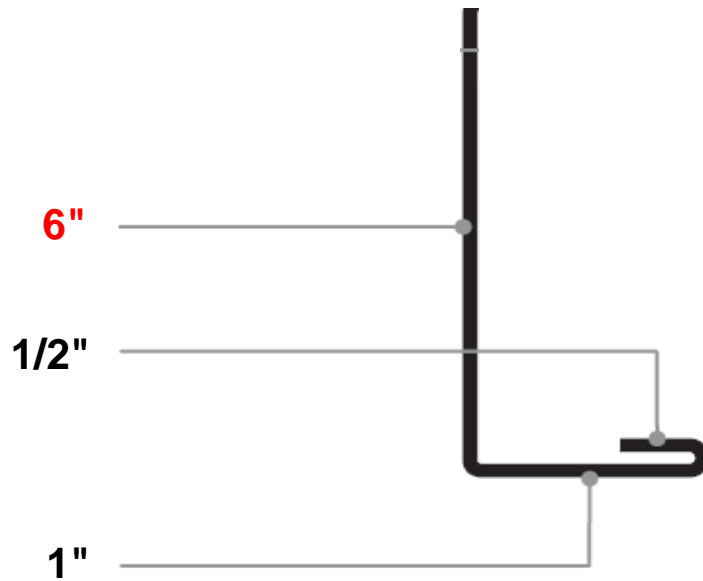


Prevents leaks where an end wall connects to a lower roof.

This space intentionally left blank.

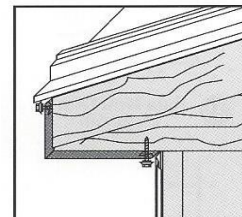
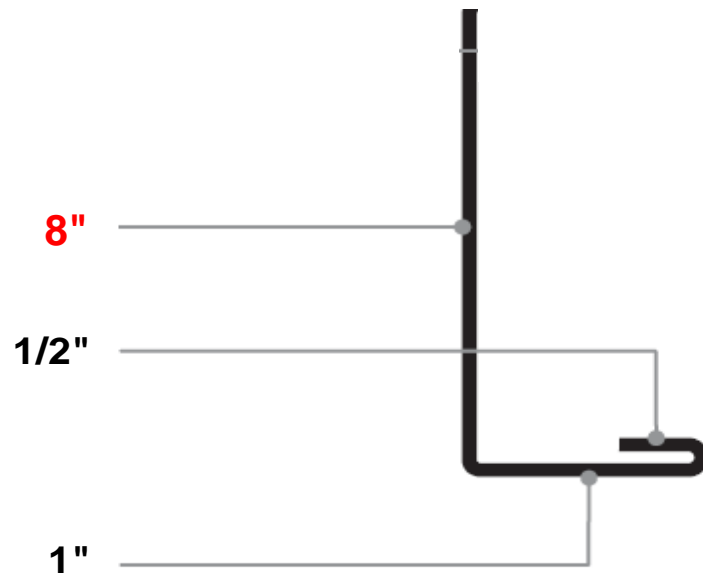
# HOUSE OF STEEL, INC. - TRIMS

## FASCIA 6"



Conceals rafter edge. Also used to cover door

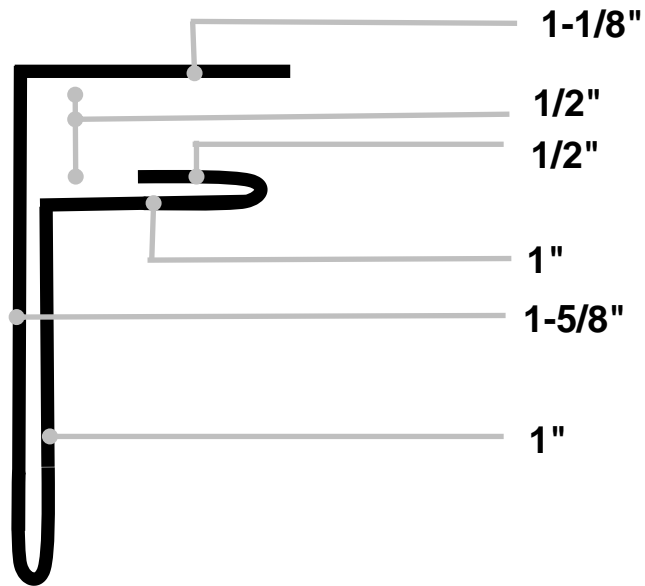
## FASCIA 8"



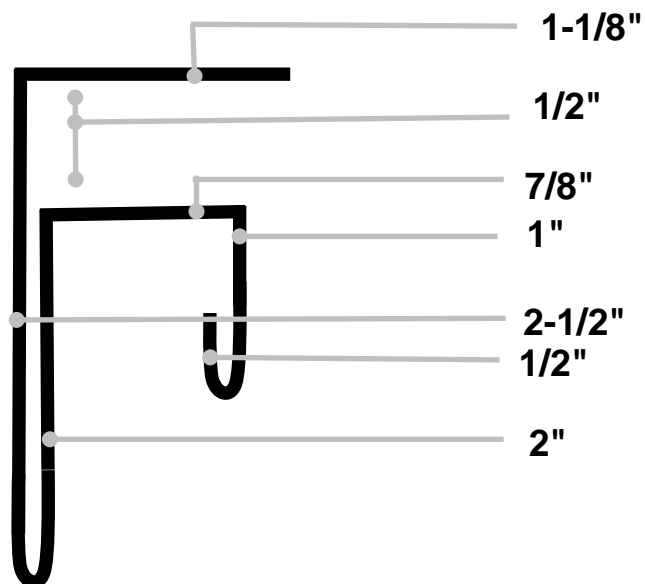
Conceals rafter edge. Also used to cover door

# HOUSE OF STEEL, INC. - TRIMS

## F



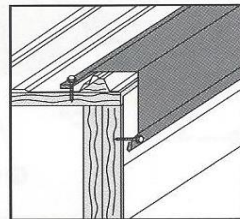
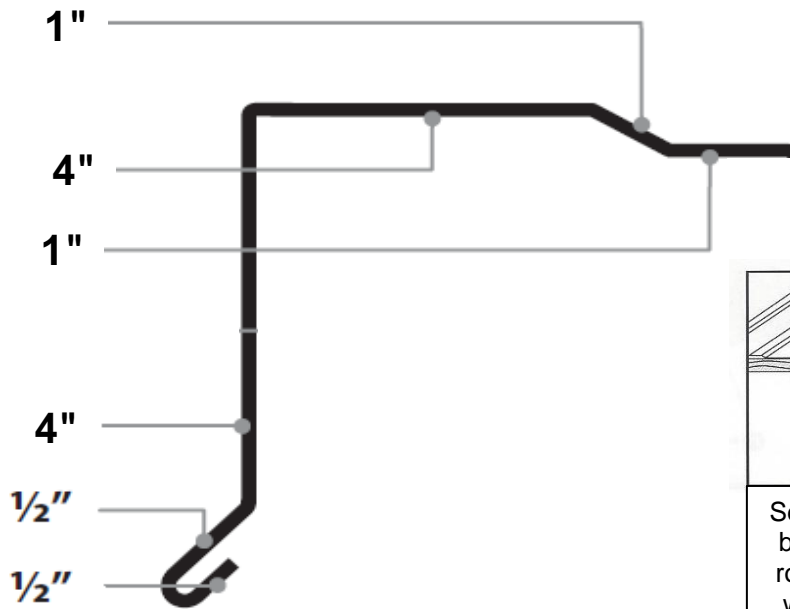
## F/J





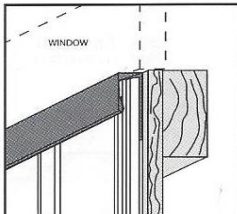
# HOUSE OF STEEL, INC. - TRIMS

## GABLE (aka RAKE)

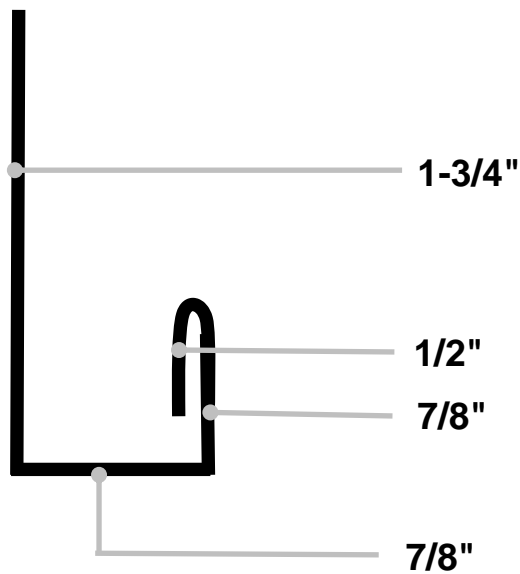


Seals off side of building where roof meets end wall, prevents

## J

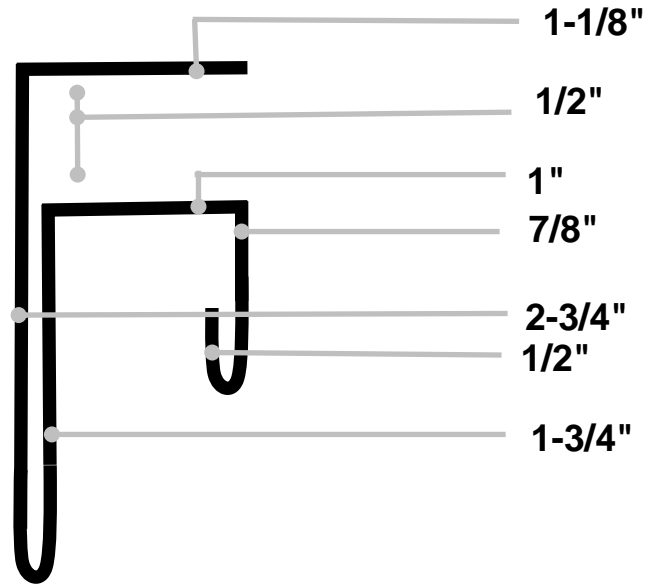


Caps off panel edges. Commonly used around doors

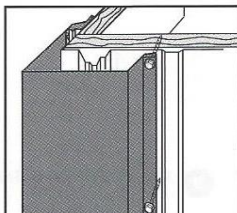


# HOUSE OF STEEL, INC. - TRIMS

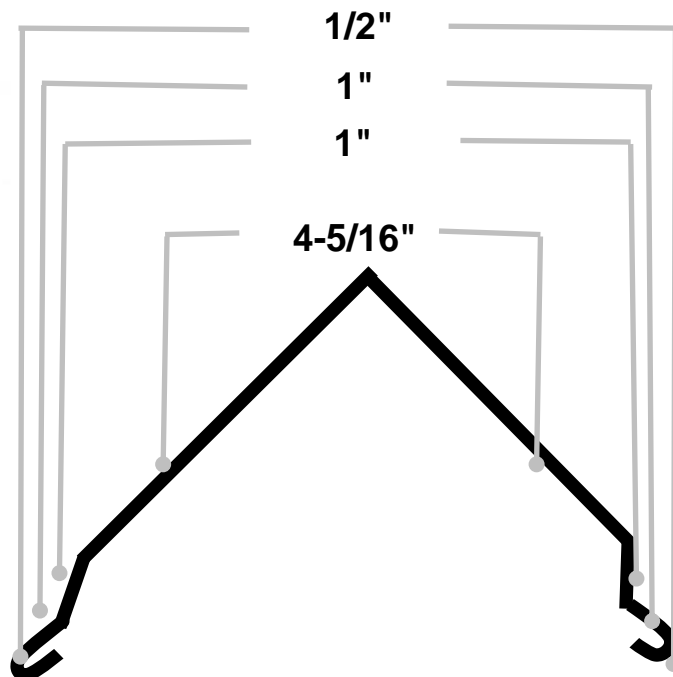
## JJ



## OUTSIDE CORNER

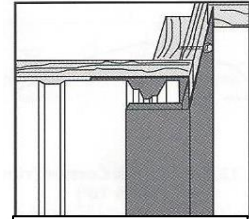
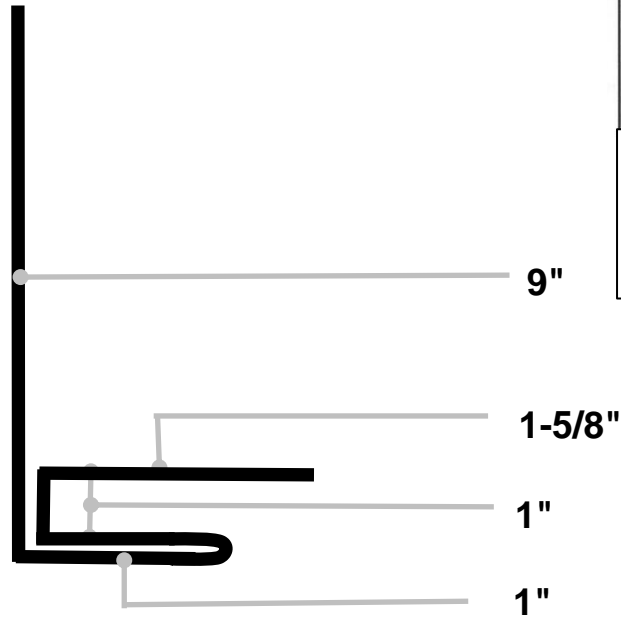


Seals off building outside



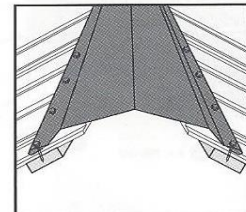
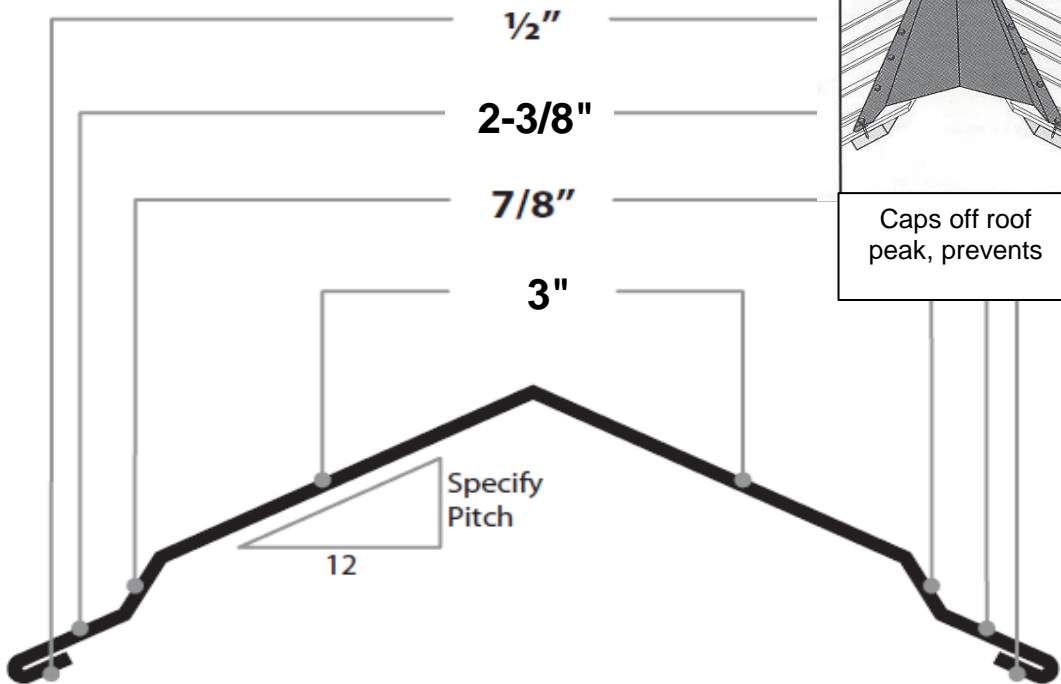
# HOUSE OF STEEL, INC. - TRIMS

## OHD W/J



Combination piece caps off panel edge and covers door

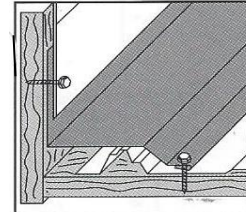
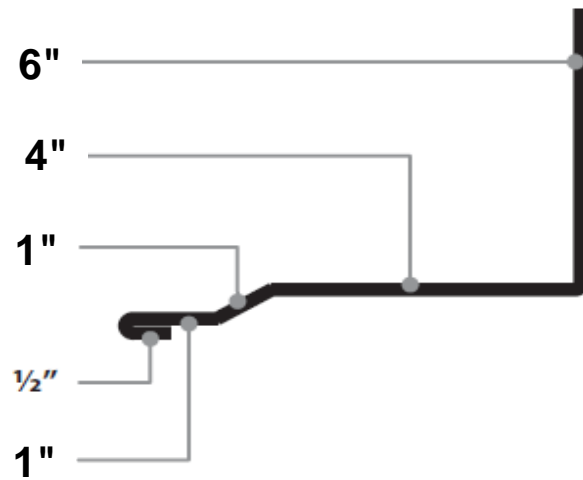
## RIDGE CAP



Caps off roof peak, prevents

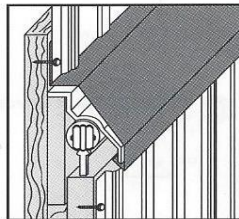
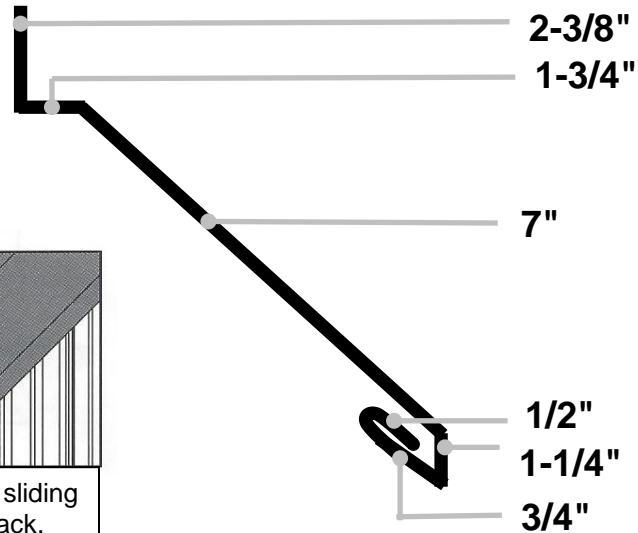
# HOUSE OF STEEL, INC. - TRIMS

## SIDEWALL



Prevents leaks where a side wall connects to

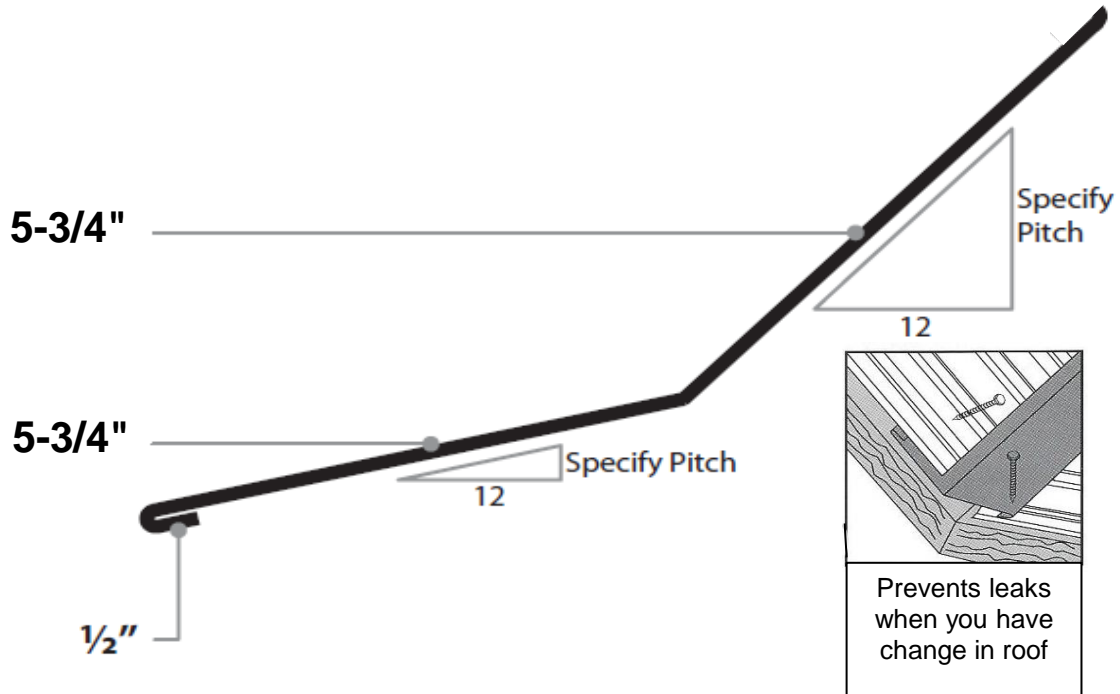
## TRACK COVER



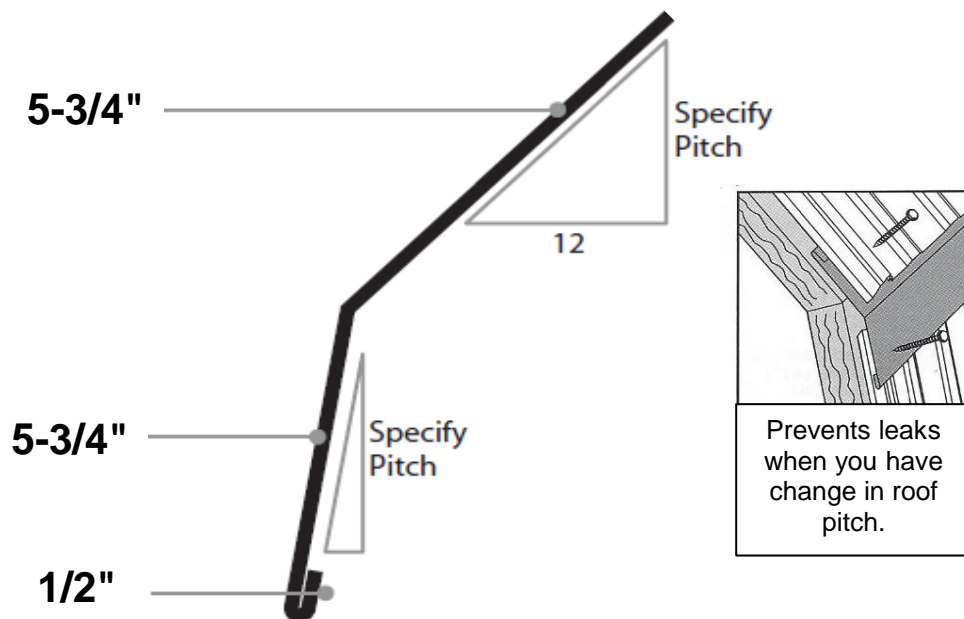
Conceals sliding door track, protects track

# HOUSE OF STEEL, INC. - TRIMS

## TRANSITION (LOWER)

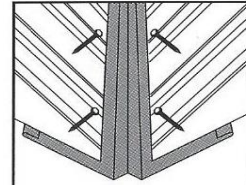


## TRANSITION (UPPER)

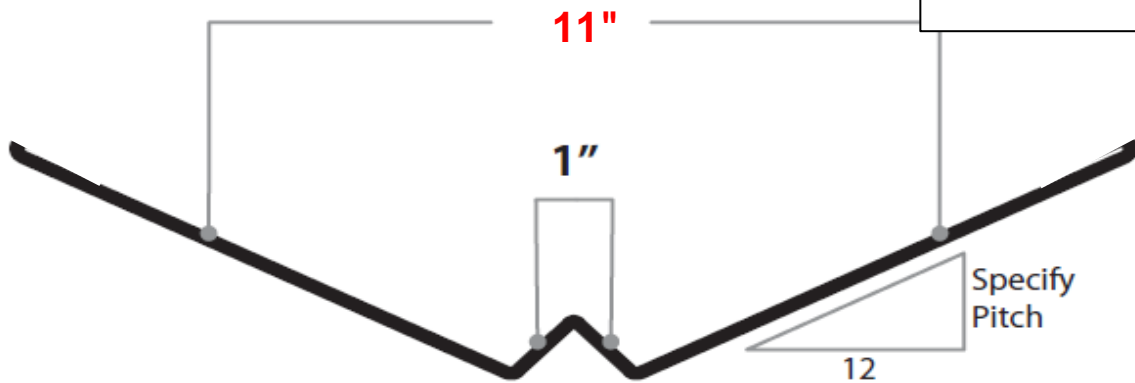


# HOUSE OF STEEL, INC. - TRIMS

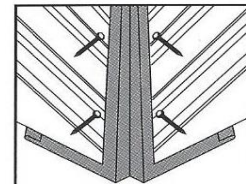
## VALLEY (McElroy)



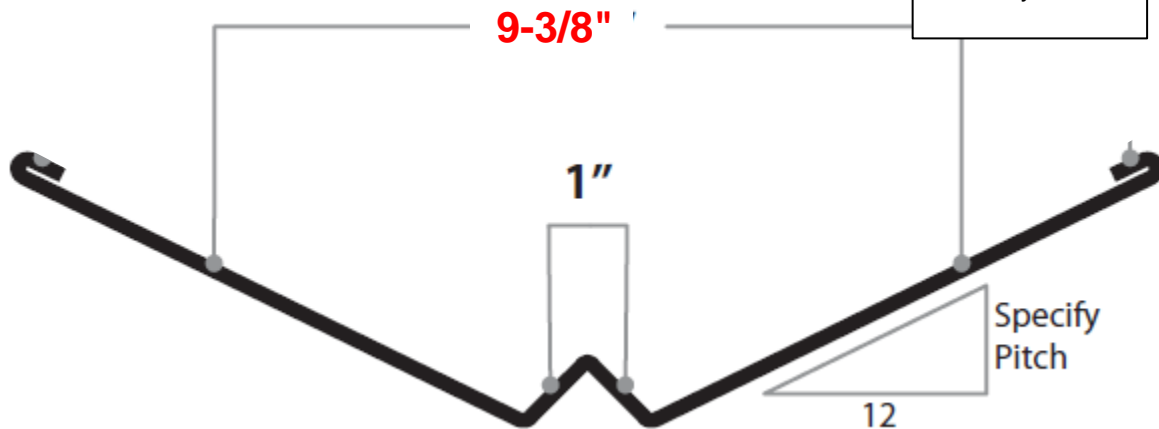
Prevents leaks where you have a valley on the



## VALLEY (Union)



Prevents leaks where you have a valley on the



# HOUSE OF STEEL, INC. - TRIMS

## Z

**(for joining wainscot to upper panel)**

