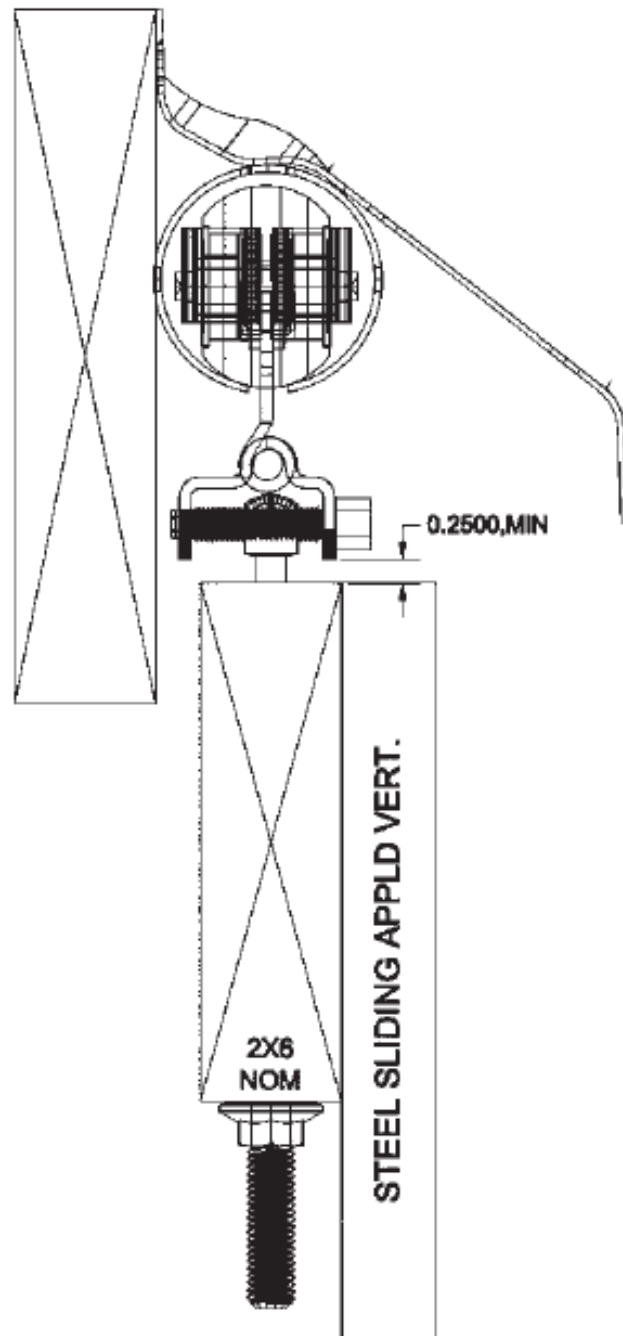


1-1/2" Sliding Door Installation Overview



**201 TRACK W/
BC3-201 BRACKET**



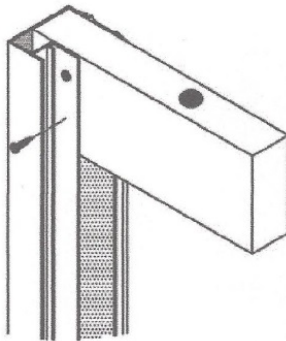
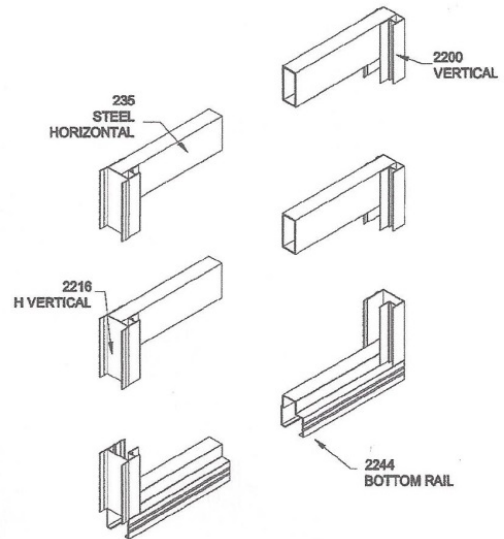
1 1/2" SLIDING DOOR INSTALLATION OVERVIEW

(contact MWI Components for full installation guide)

1. Single leaf sliding doors require (2) vertical rails. Split sliders require (3) vertical & (1) H rail. Allow for minimum of 1" overlap on top of rough opening & overlap bottom as needed.

NOTE: 2244 will add 2" to overall height of sliding door.

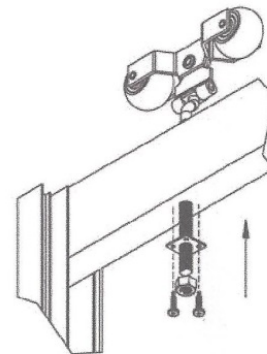
2. A horizontal box girt is suggested for every 24" of height for sliding doors; for example, a 12' tall door would require at least 6 steel horizontals. Cut box girts to desired length, allowing minimum 2 1/2" overlap to each side of finished opening.



3. One of the steel horizontal box girts will become the top "header" horizontal. A 1/2" hole will need to be drilled at least 8" from each end of door. Larger doors will require 1/2" hole to be greater distance from the edge.

4. Lay verticals face down & slide top horizontal and bottom rail into place, make sure these are fully engaged into verticals. Fasten (1) #10x3/4" self-tapper into each end. Position rest of horizontals into place every 24" on center. Check for squareness & ensure all horizontals are pushed tightly into verticals. Attach (2) #10x3/4" self-tappers per horizontal - per side.

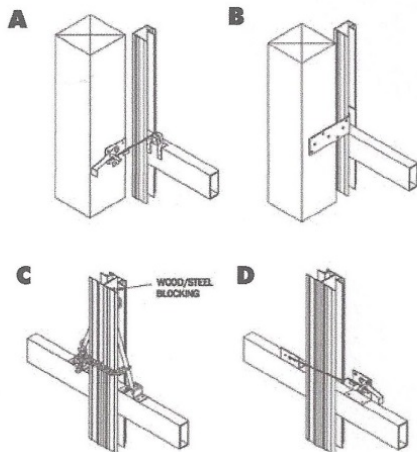
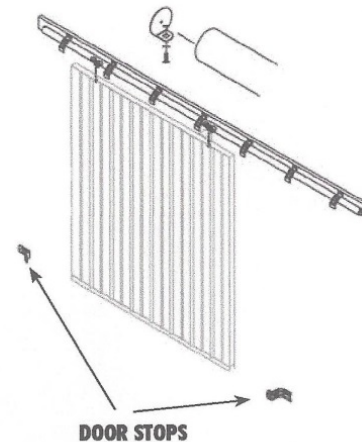
5. Attach sheet steel and/or any trim pieces to door. Attach trolleys through 1/2" hole in top horizontal and tighten lock washer & nut up to top horizontal. The final adjustment of door position will be made after door is securely hung in track.



1 1/2" SLIDING DOOR INSTALLATION OVERVIEW

6. Install a length of door track double the finished opening width, ensuring this is straight & level. Position door beneath track and lift vertically to insert trolleys one at a time. Use trolley hanger adjustments to move door up, down, in or out. Securely fasten adjustment washer into top horizontal.

7. Add end caps to each end of track. End caps are not designed as a door stop. If desired, install track cover and end trims.



8. Accessories can be installed to user preference.

- Door stops are to be placed at each end of track
- Jamb latches (A) and jamb mount stops (B) are installed on the jamb to secure a door against the jamb
- Center chain snugger (C) or center latch (D) are used to hold bi-parting door panels together
- Center door guides are mounted at the center of split sliding door opening

9. For installation of bottom guide rail, start with door in closed position (*see page 26 for detail*). Rail used needs to be at least one half of door panel width. When guide rail is centered in bottom rail, loosely fasten guide rail to brackets. Using provided fasteners, fasten first mounting bracket to base board of building. Roll door open to fasten last bracket to base board. Repeat for any center brackets as required.

10. Check movement of door to make sure it slides without rubbing, then secure all fasteners in brackets and rail.

